



HEAVY DUTY GRANULATOR

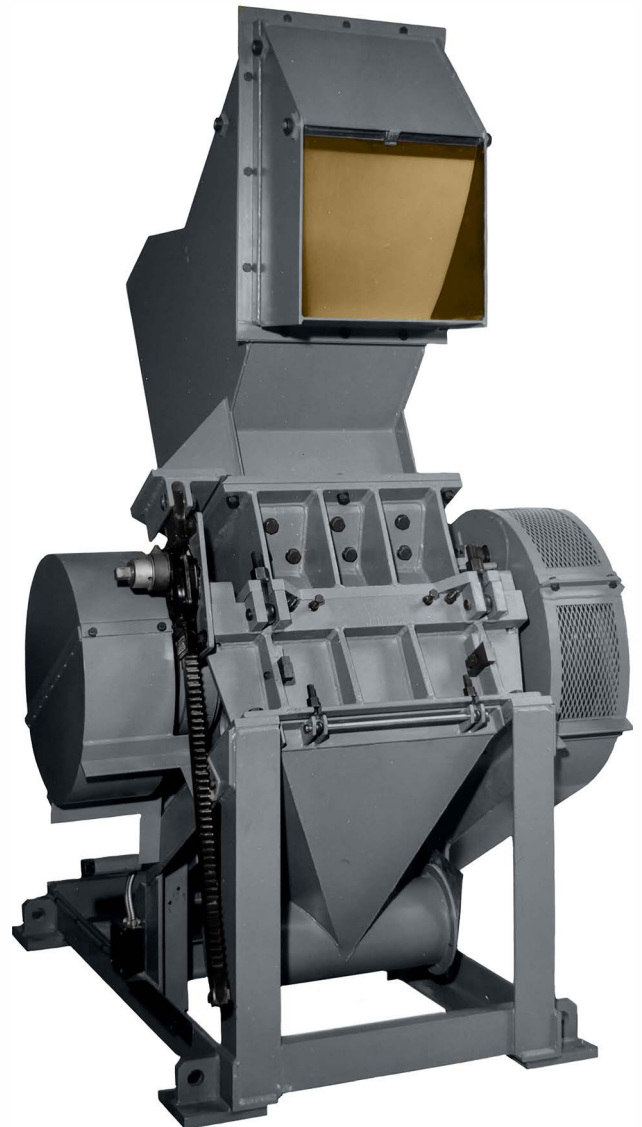
The HD 45 Granulator is designed to be a versatile and robust machine, providing an efficient, high output and performance. As with all Blackfriars granulator machines this unit has been designed with durability and reliability in mind.

APPLICATIONS

A wide range of in-plant and general trade applications in plastics and rubber include lumps, scrap components, extrusions (section, pipe and sheet) and film. Machines can be manufactured to suit particular applications.

OPERATION

The HD 45 is compact and simple to install. Easy access is made for cleaning and knife maintenance. Full safety features include interlocked rotor restraint and Blackfriars Scruloks for positive mechanical interlocking of hopper and outlet chute to cutting chamber.



Model	HD 45
Throat Size (mm)	450 X 400
No of Rotor Knives	3
No of Stator Knives	2 to 3
Rotor Diameter (mm)	400
Motor Range (kW)	37/55
Output in Kg / Hr with 9mm Screen	800 - 1000
Dimensions in mm (L x W x H)	1770 X 1250 X 2100
Machine Weight (kg)	2100

FEATURES

The machines are fabricated with an inclined cutting chamber and integral baseframe for granulator and motor. There are two rows of dead knives and three rows of fly knives, all adjustable as standard, with an optional third dead knife. Shear on the fly knives provide a "scissor cut" action. The rotor is supported on externally mounted two row spherical roller bearings. An open, closed or universal design of rotor is available. An additional flywheel gives extra inertia for particularly heavy duty applications. A feed restrictor can be added for controlling feed of large solid items.

ENGINEERING

Complete systems engineered with in-feed conveyors, metal detection, temperature sensing, granule extraction, sound attenuating enclosure, maintenance monitoring and system control. Applications and project engineering available to design systems to suit specific requirements.

CONTACT

To place an order or discuss your project requirements, please get in touch.

Tel: +44 (0)114 244 0527

Email: enquiries@fernite.co.uk

Our office is open from:

8.30am - 5.00pm Mon-Thurs

8.30am - 3:45pm Fridays

Closed Saturday / Sunday

www.blackfriars.com



Blackfriars is a trading style of Fernite of Sheffield Ltd.
1 Orgreave Road, S13 9LQ

